

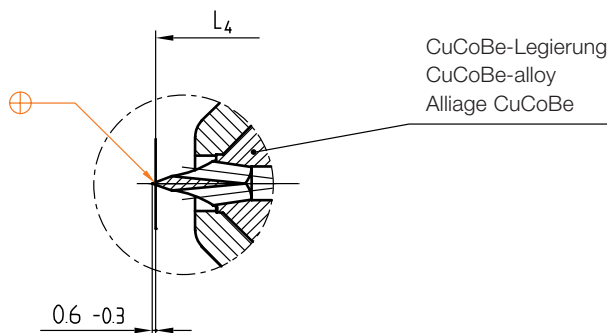
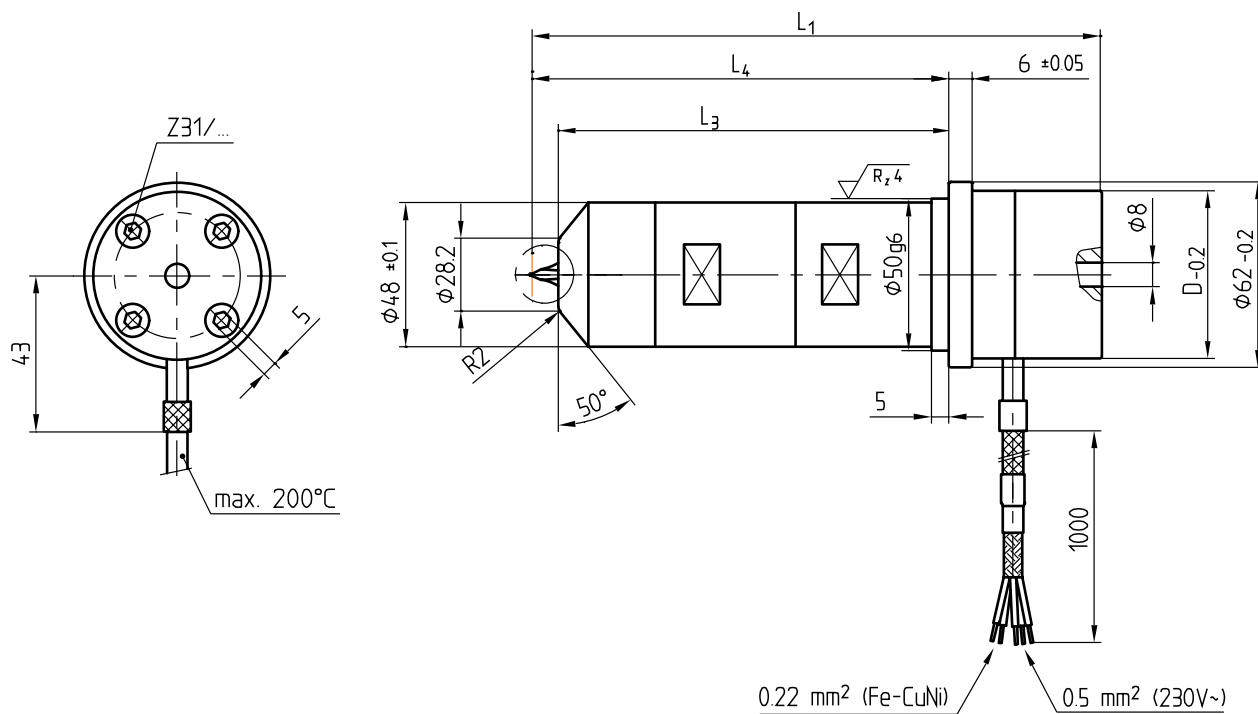
Z207/...

230 V~

⎯+ = Fe-CuNi
⎯- = Fe-CuNi



► Info



max. °C	Watt	L ₃	L ₄	D	L ₁	Nr./No.
280	750	100	109	56	160	Z207/56x160
		140	149		200	200
		190	199		250	250

This is trial version
www.adultpdf.com